



Flowmax®
Multiparameter
Flowmeasurement



Flowmax®
developed by



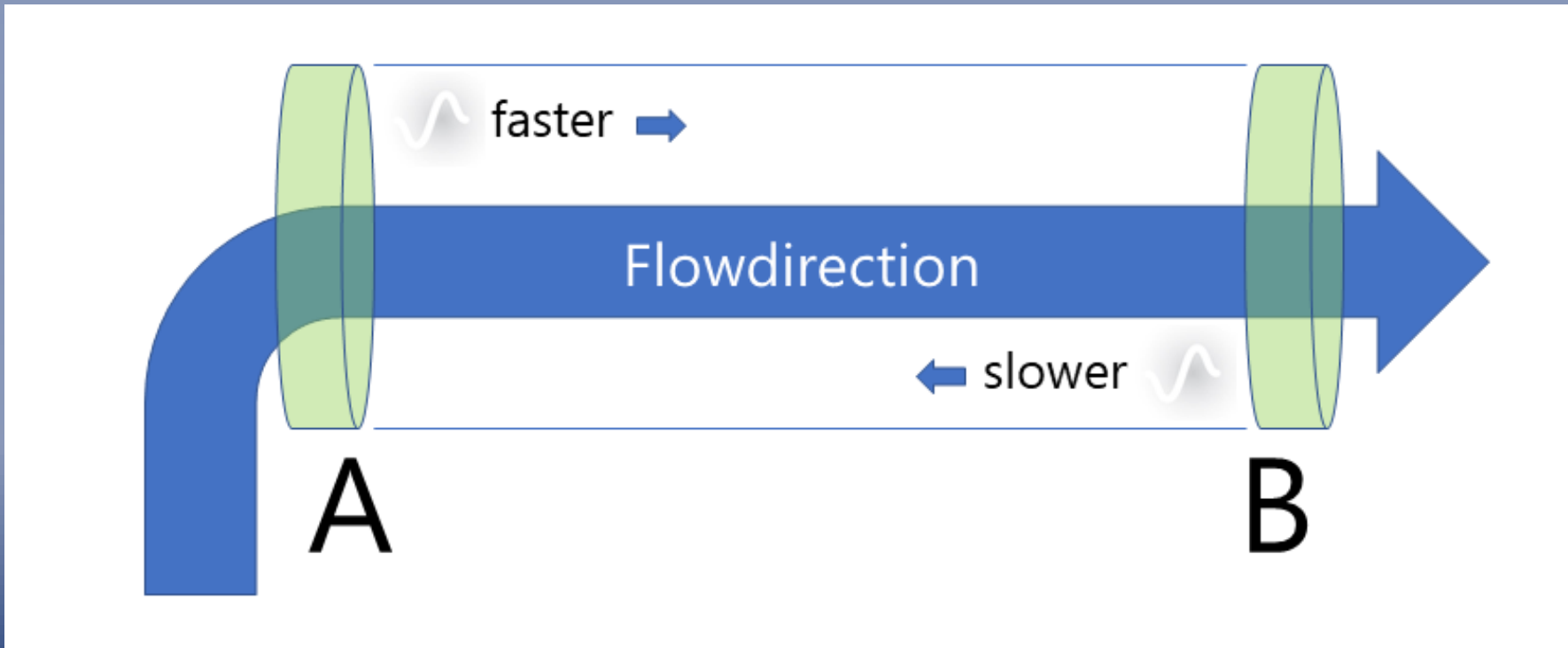


Flowmax®
Branchenmanagement
Single Use by

FLOW  MEISTER

Flowmax®

- measures liquid flowrate
- uses ultrasonic transit-time principle

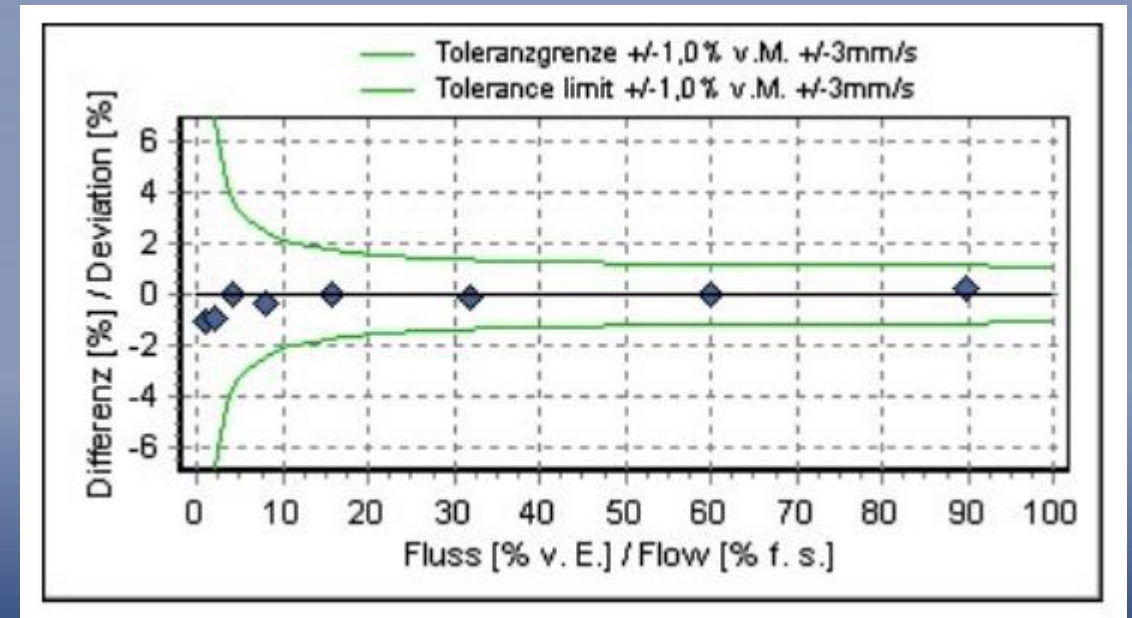
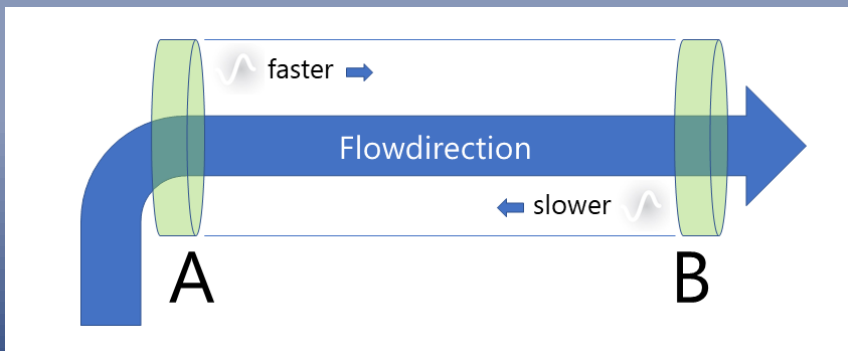


Flowmax®

- measures liquid flowrate
- uses ultrasonic transit-time principle

Key-values

- Starting point below 400 [ml/hour]
- Calibration data stored in measuring tube

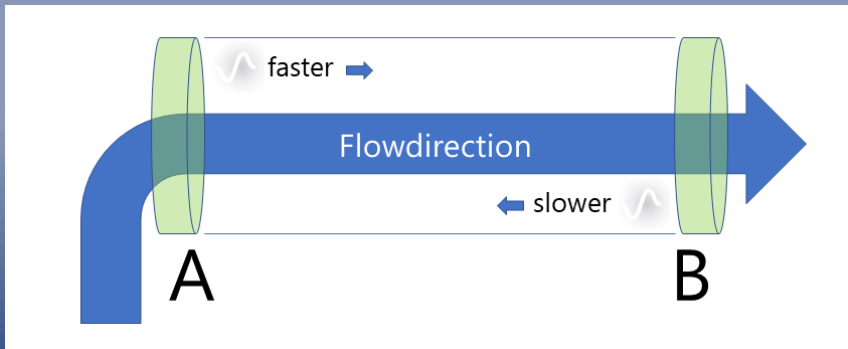


Flowmax®

- measures liquid flowrate
- uses ultrasonic transit-time principle

Key-values

- Starting point below 400 [ml/hour]
- Calibration data stored in measuring tube
- Independant of conductivity, turbidity, wide range of viscosity
- Open bore, no moving parts, no sensors in medium
- 250 measurement per second



Points of attention

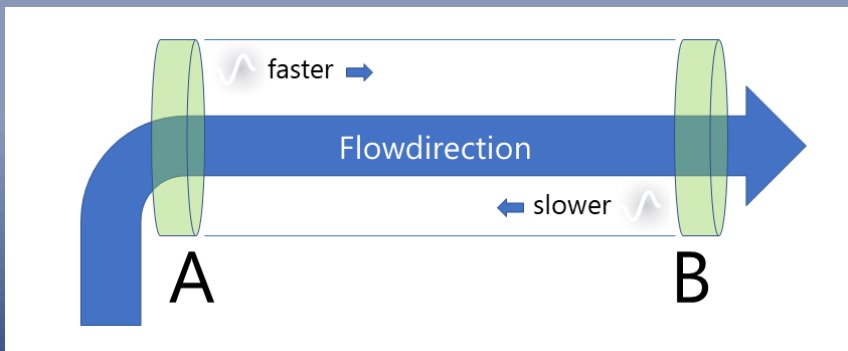
- Acoustic dampening
- Gas-bubbles

Flowmax® multiparameter

- Flowrate
- Totalizer
- Temperature
- Bubble and empty pipe detection
- Plus.....

Speedmax®

- Changes in speed of sound reflect changes in the liquid

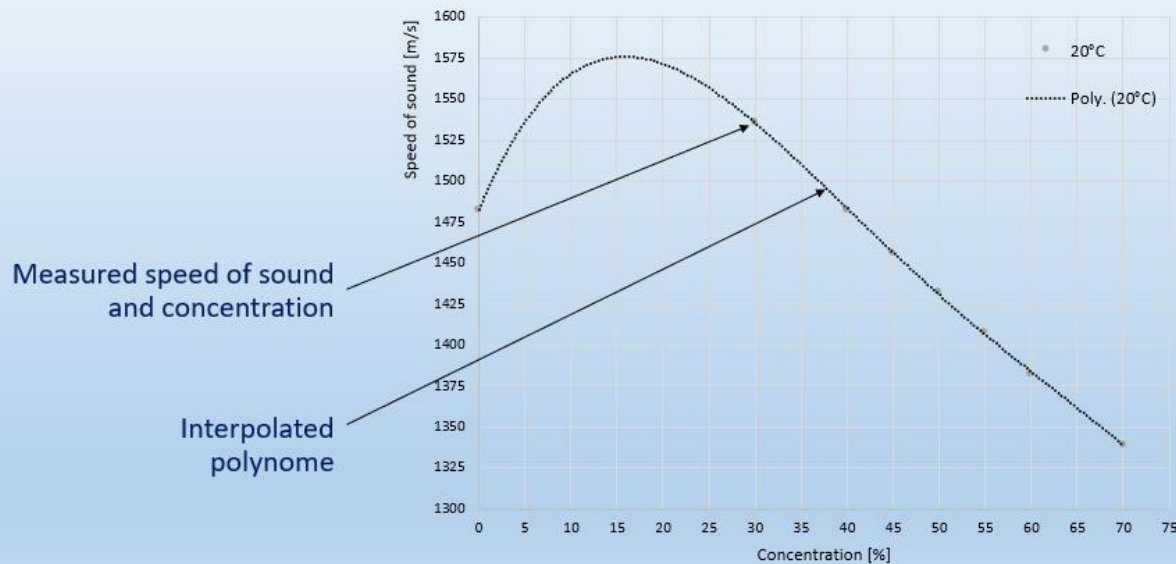


Speedmax® liquid-monitoring

- Monitor the changes in actual speed of sound
- Convert to analogue (4-20 mA) or frequency output
- User to assign correlation to liquid-property,

Medium Analysis Example concentration-curve

MIB GmbH
Messtechnik & Industrieberatung



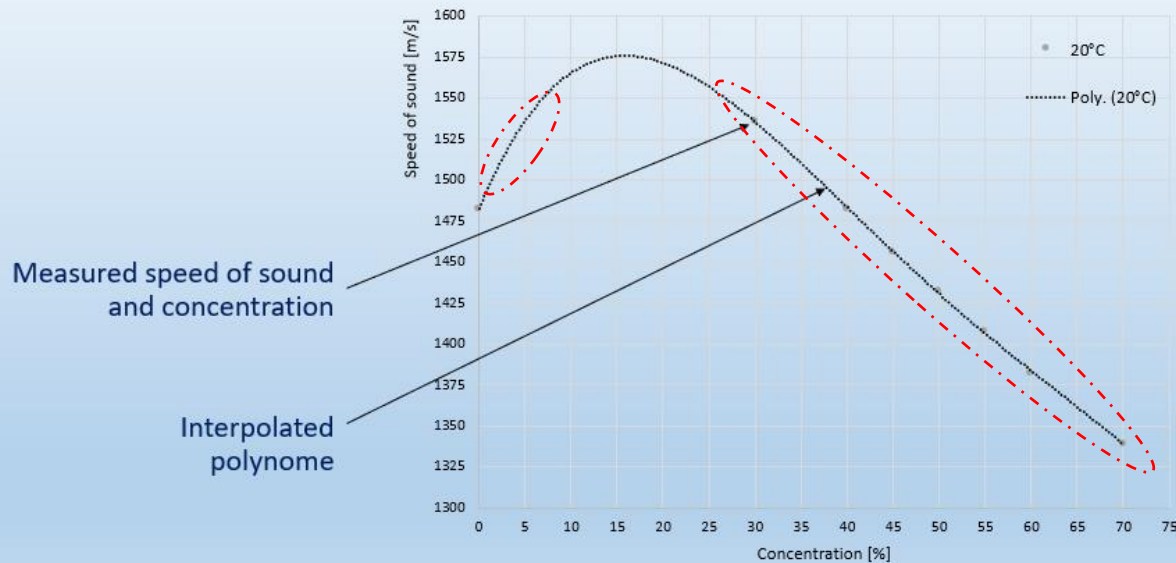
Speedmax® liquid-monitoring

Example concentration-monitoring

- Speedmax value at minimum concentration 20% = 4 mA
- Speedmax value at maximum concentration 53% = 20 mA

Medium Analysis Example concentration-curve

MIB GmbH
Messtechnik & Industrieberatung



Signal trending towards 4 or 20 mA
-> check process before exceeding

Signal outside 4-20 mA
-> process going wrong
-> unexpected liquid inside

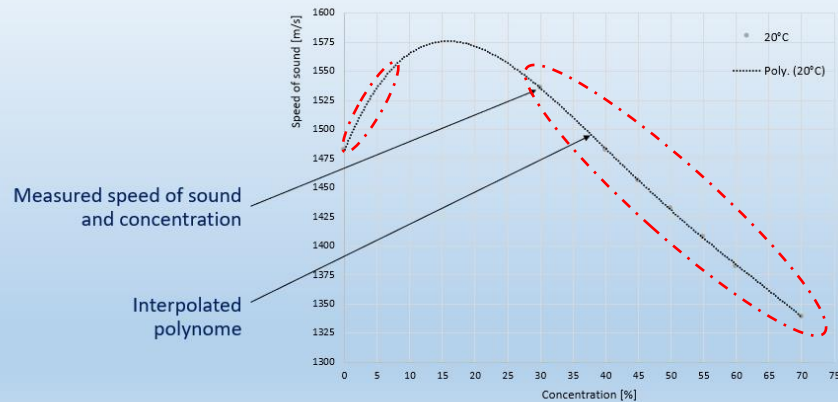
Speedmax® liquid-monitoring

Note:

Making the correlation when more than one parameter changes requires additional measuring points to create multiple polynomes.

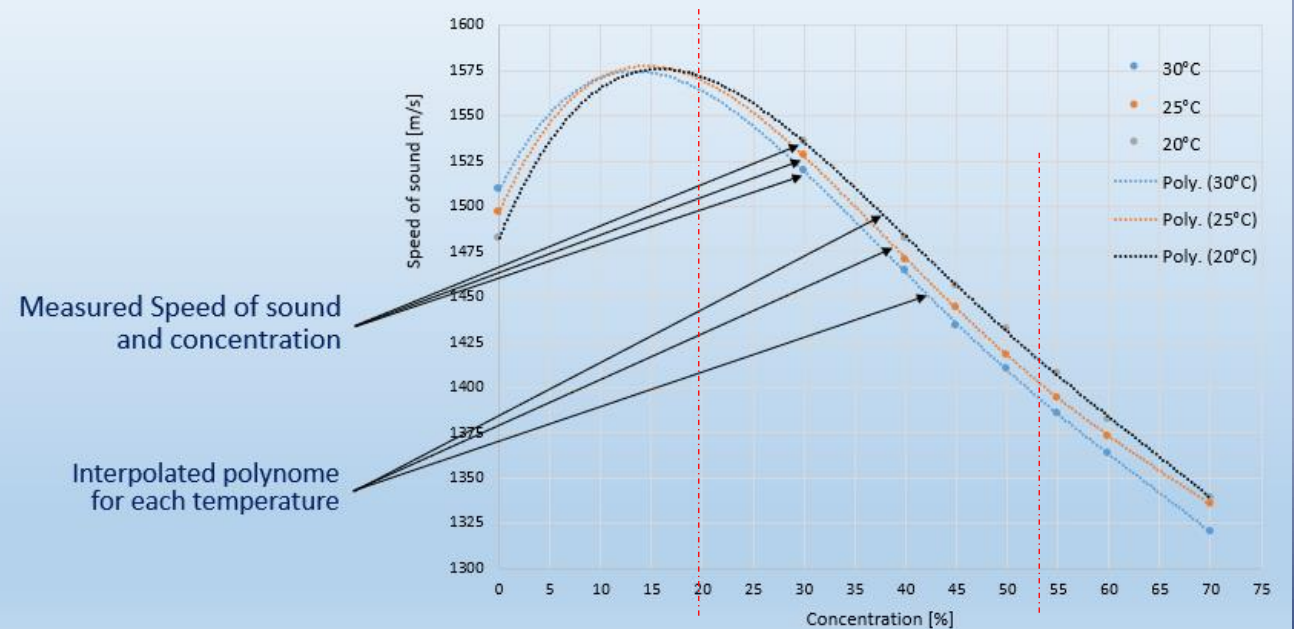
Medium Analysis Example concentration-curve

MIB GmbH
Messtechnik & Industrieberatung

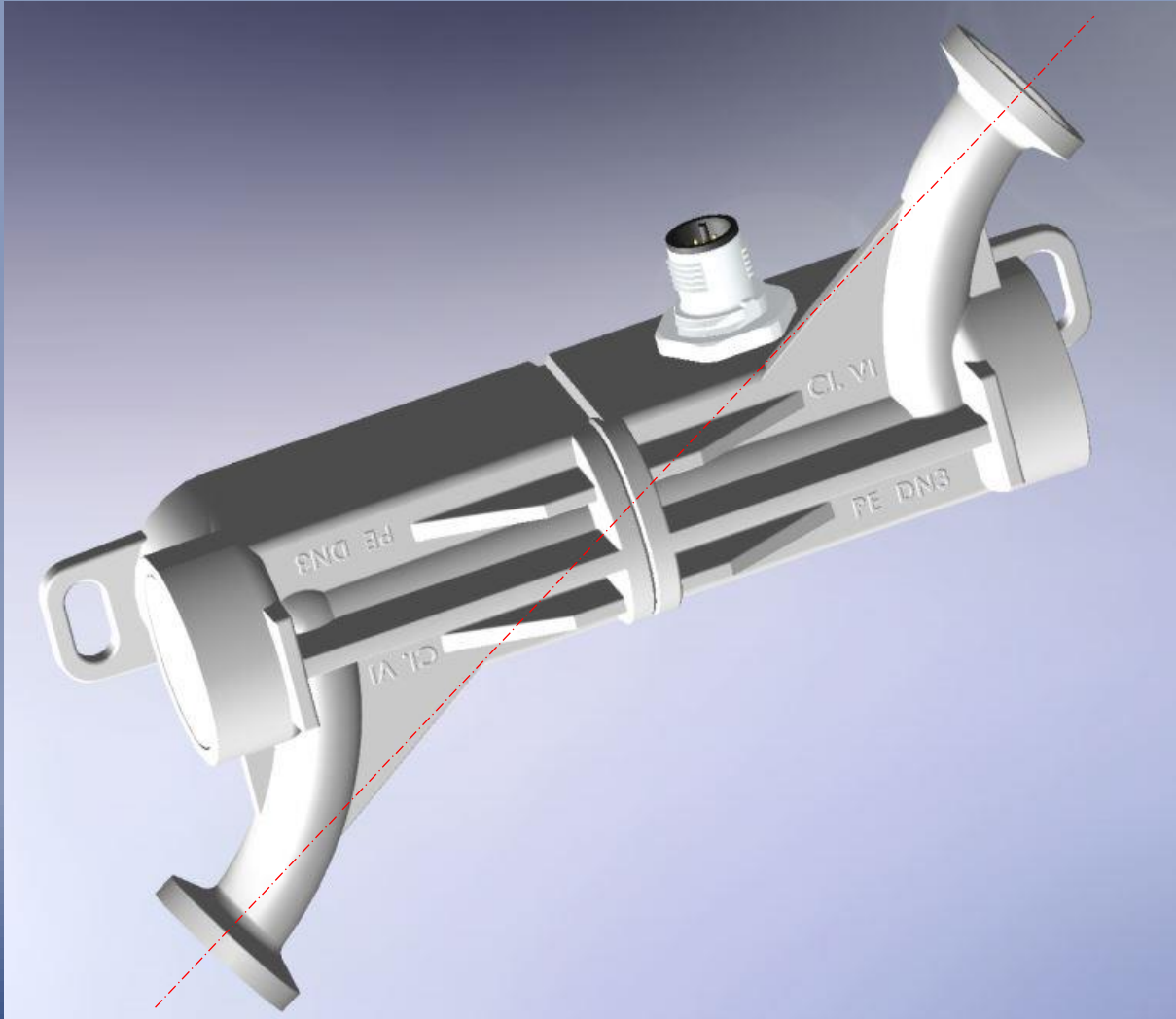


Medium Analysis Example concentration + temperature

MIB GmbH
Messtechnik & Industrieberatung



Flowmax® The instrument



Single Use Flowmax® 242i
Since 2015

New model features:

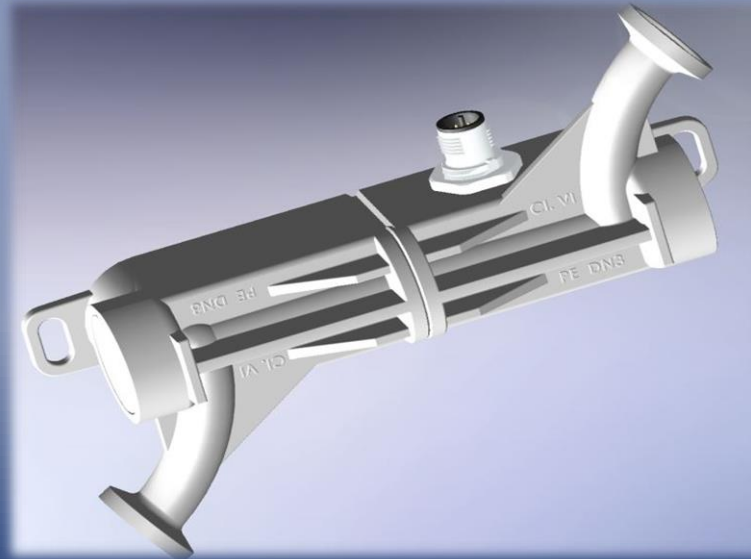
- In- and outlet inline
- Integrated Triclamp
- **Calibration data inside!**
- Full performance of industrial models
- Moulded version
 - saves 70% material (LDPE Class VI)
 - improved lead-time

To summarize:

We believe in the potential to benefit from one multiparameter sensor

- Reduce connection-points
- Reduce wiring
- All parameters inline but non-invasive
- Less sourcing

Go for flow +Temperature +Gas-bubbles +Speedmax® (+Pressure*)



Pressure* only in our flow-control solution



MIB GmbH

Messtechnik & Industrieberatung

Thanks for your
feedback!

Ron van Dooren,
Global Branchmanager Single Use
Flowmeister BV

Martin Deutscher,
Owner
MIB GmbH